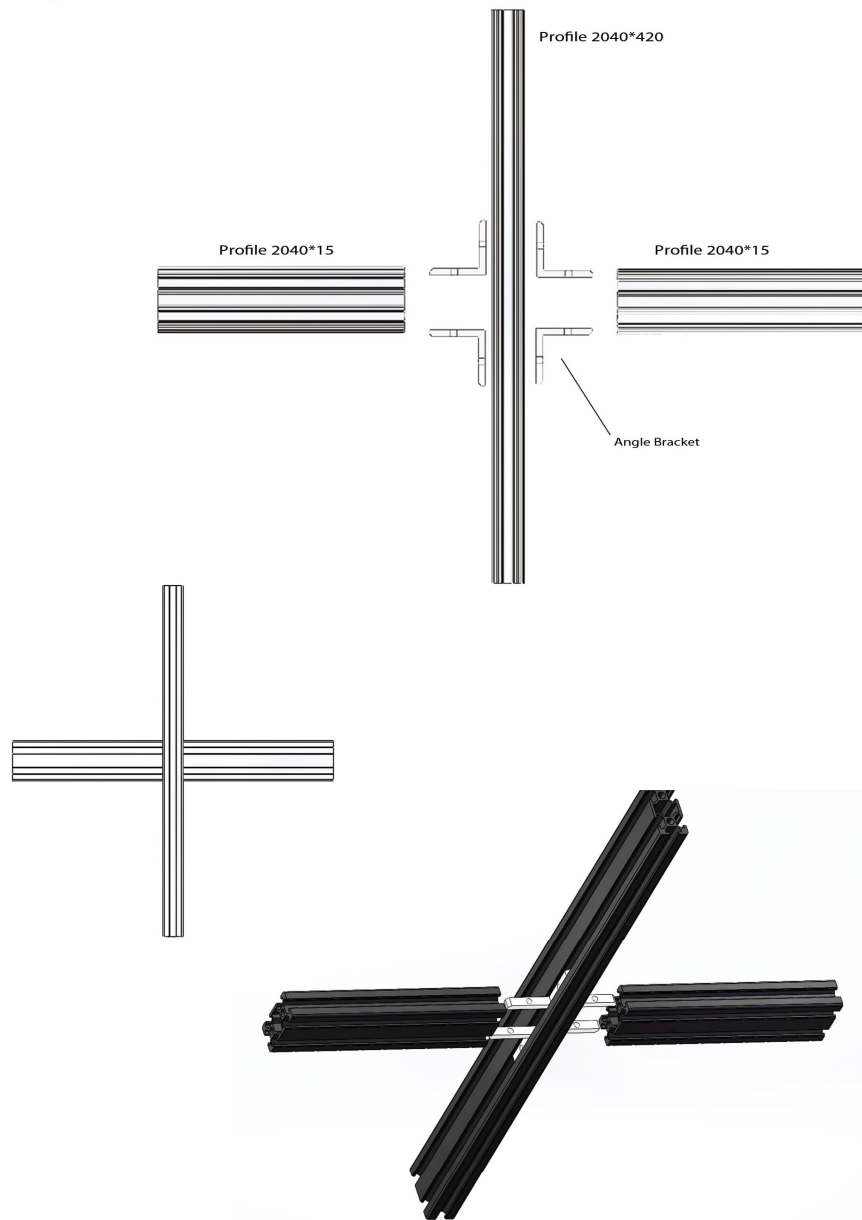


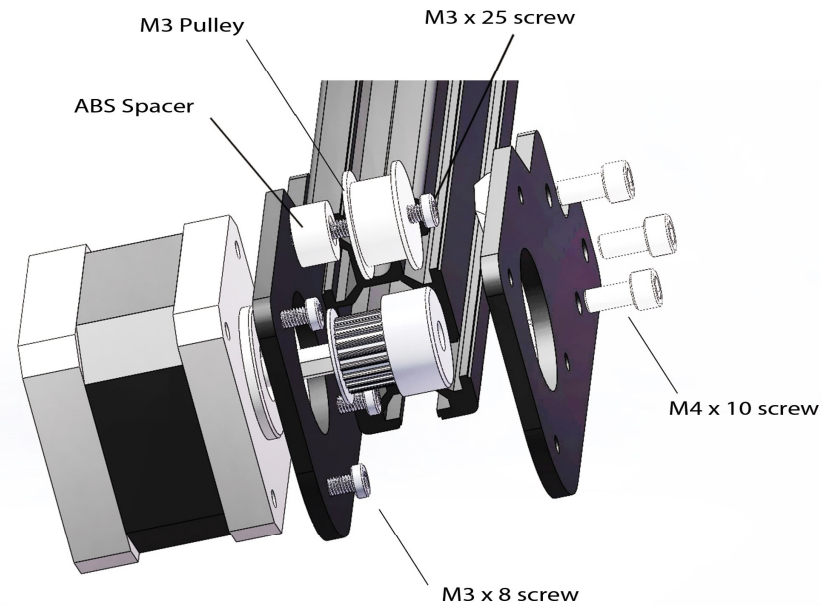
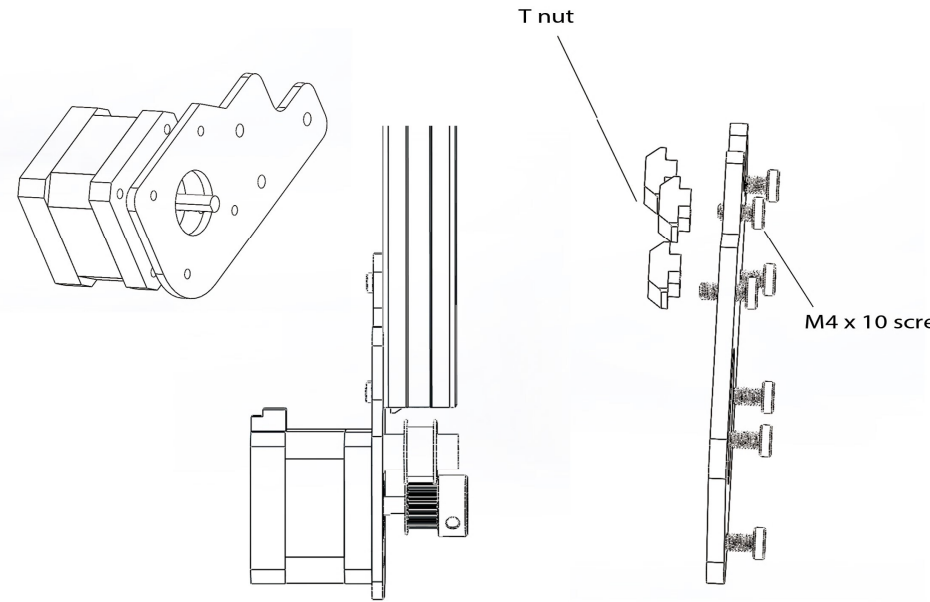
1.The Chassis Rack Mounting

Install the parts package



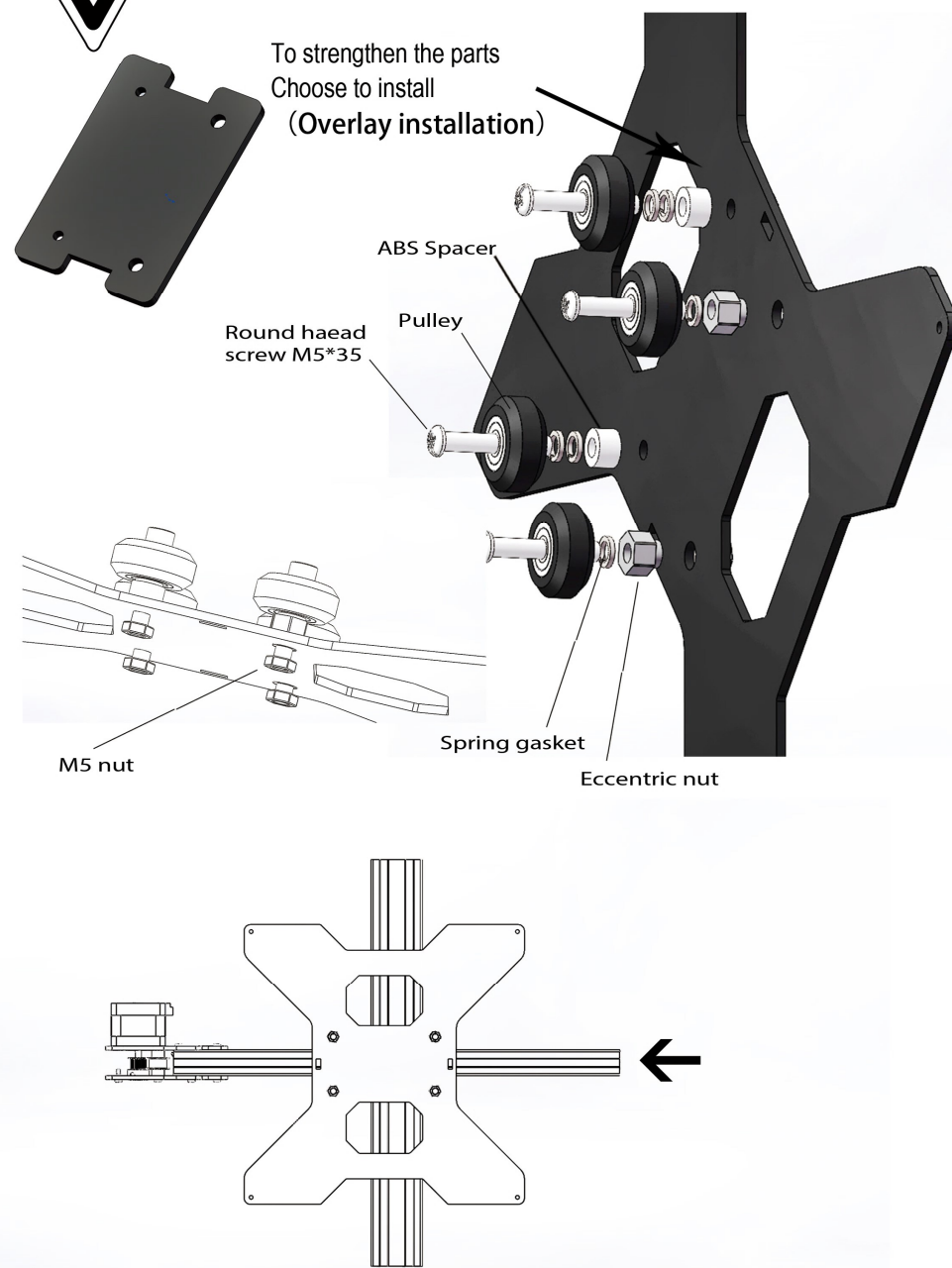
2.Y axis transmission set of installation

Install the parts package



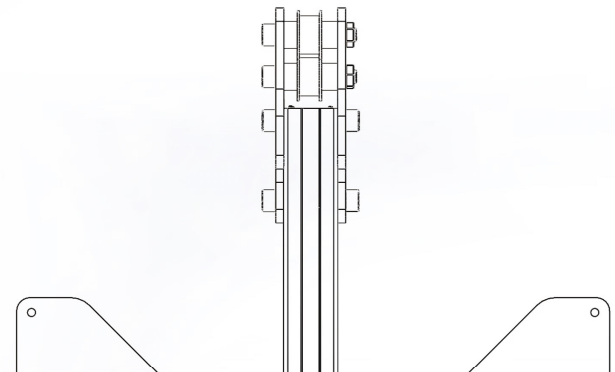
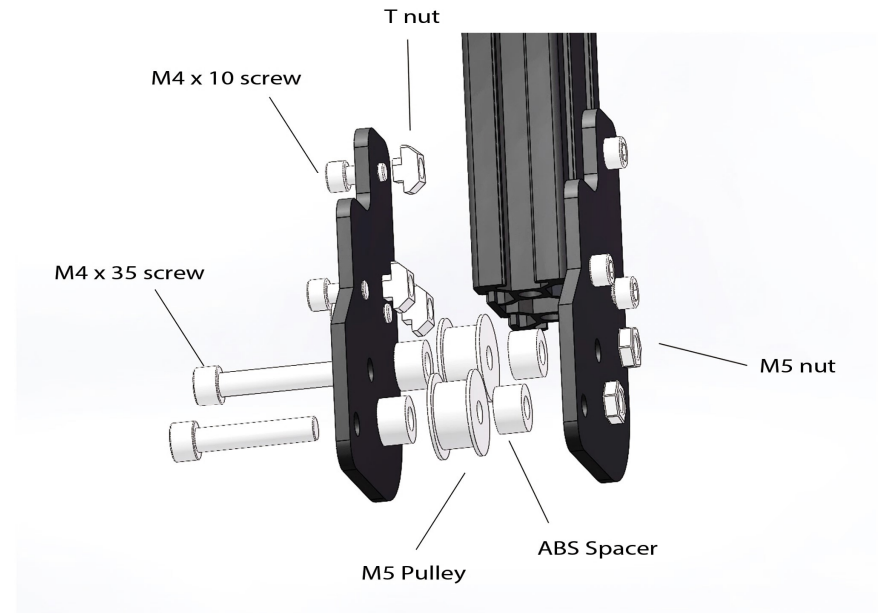
3. Heatbed carriage installation.

Install the parts package



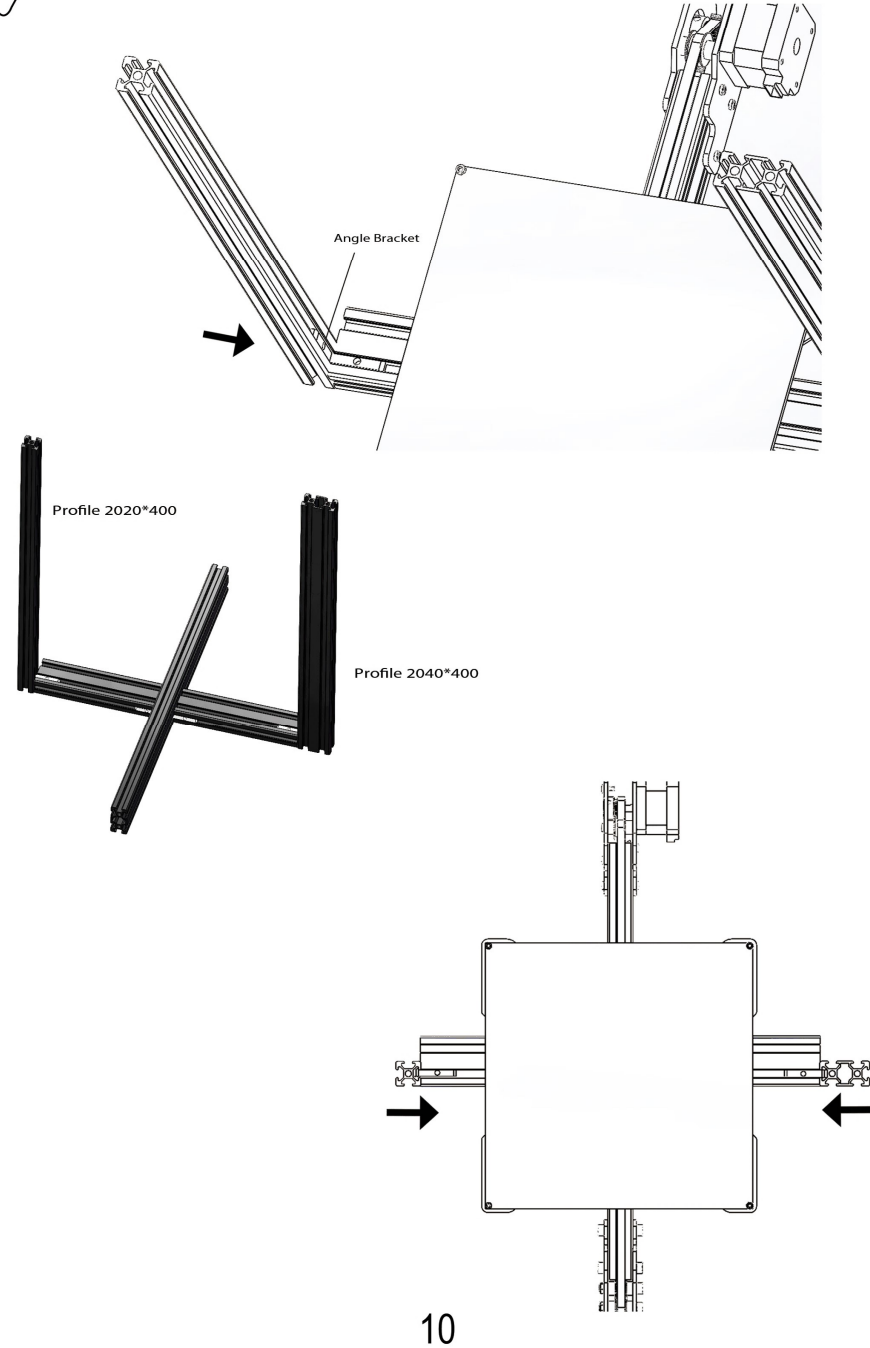
4. Y axis transmission set of installation The front end

Install the parts package



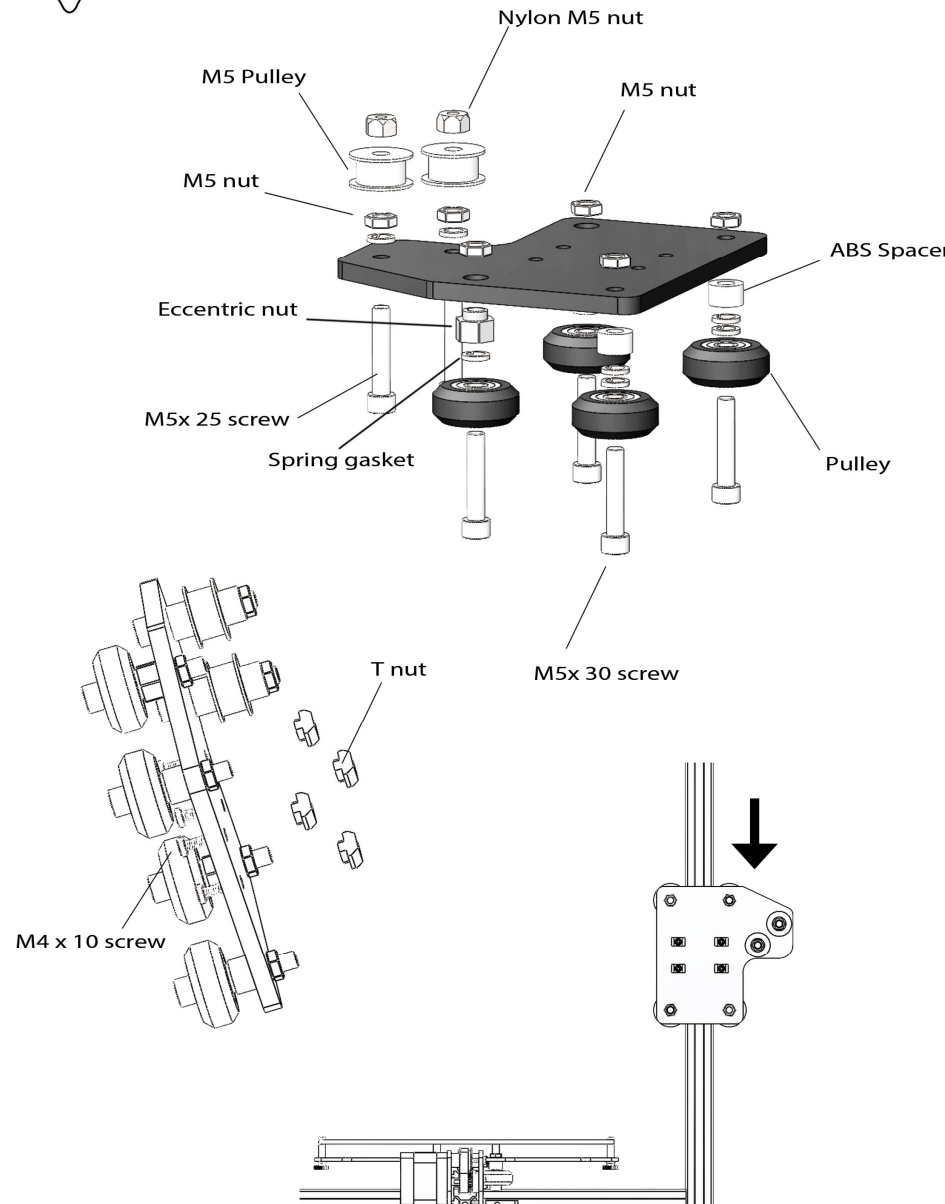
5. z axis bracket installation

Install the parts package



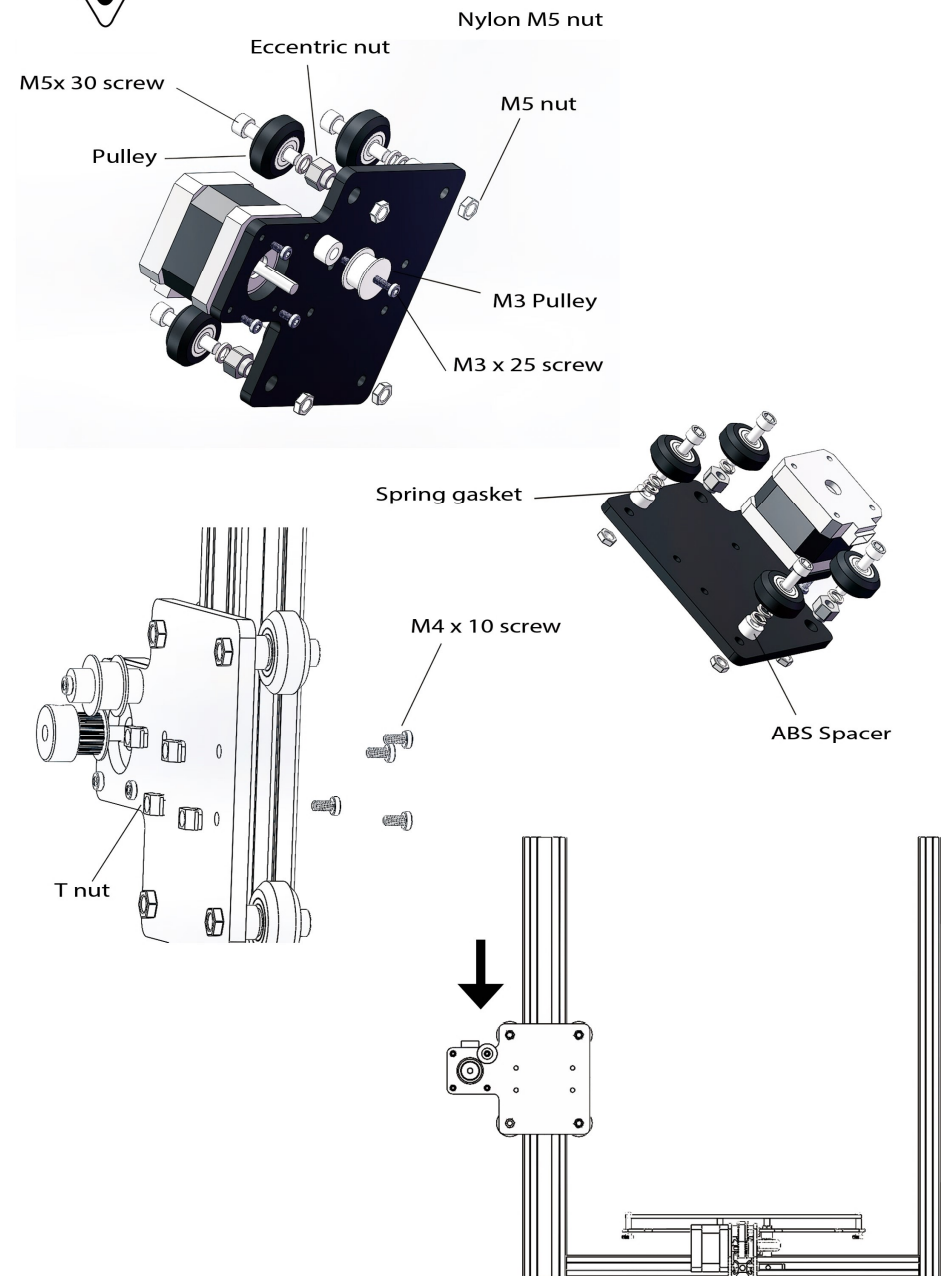
6. Z axis block

Install the parts package



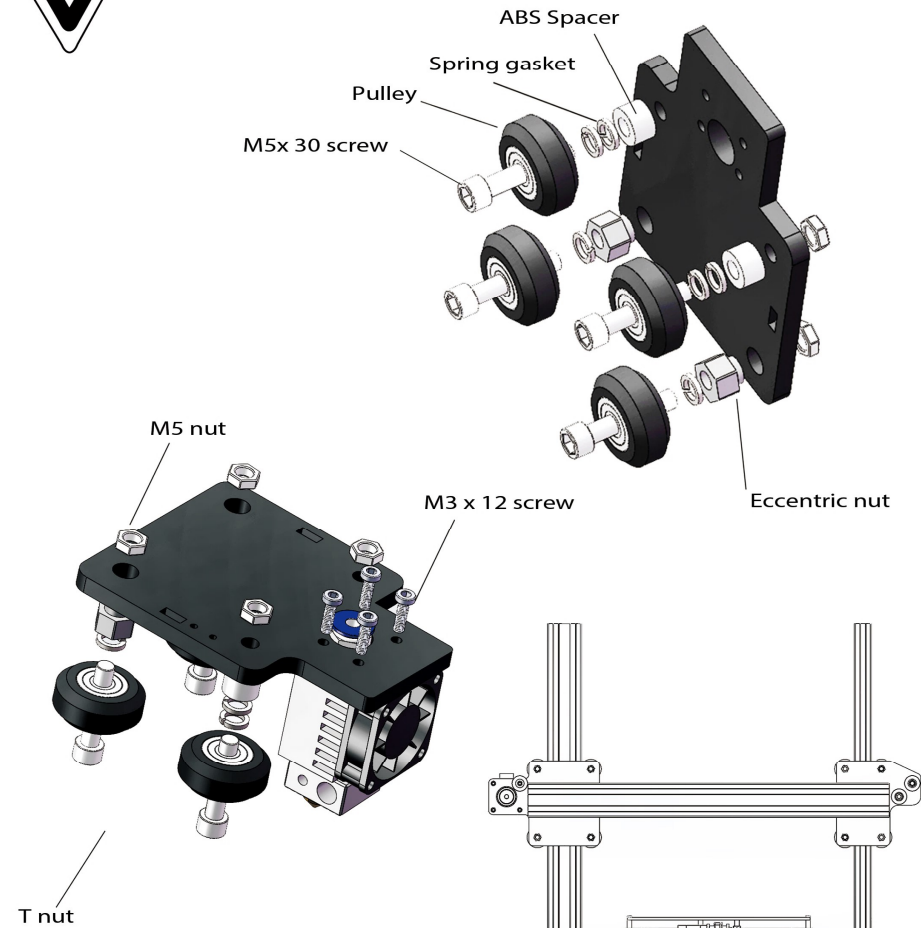
6. Z axis block

Install the parts package



7. X Block Installation

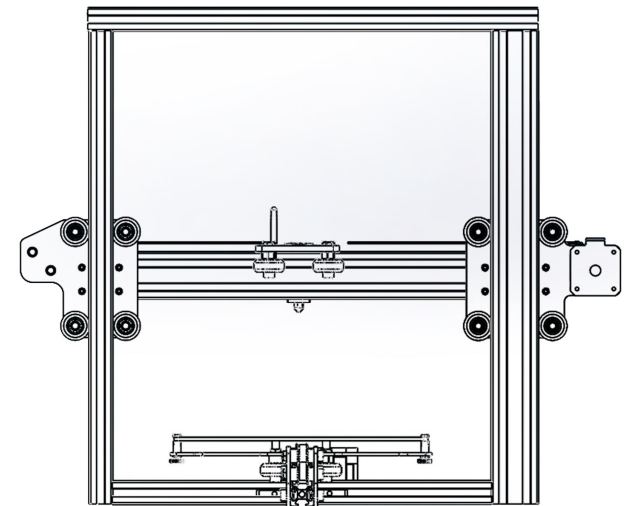
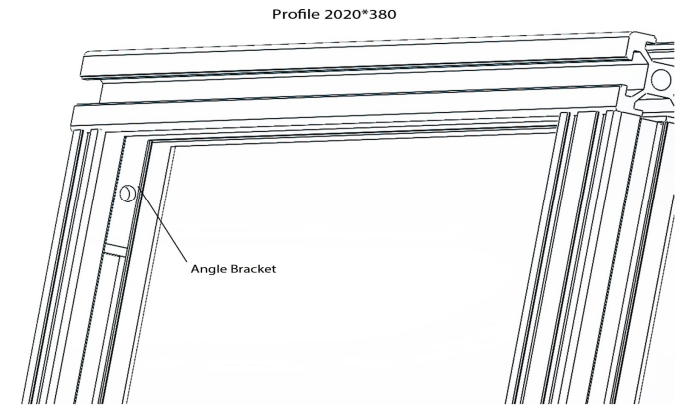
Install the parts package



After loading the X block,
and then install 2040 profiles

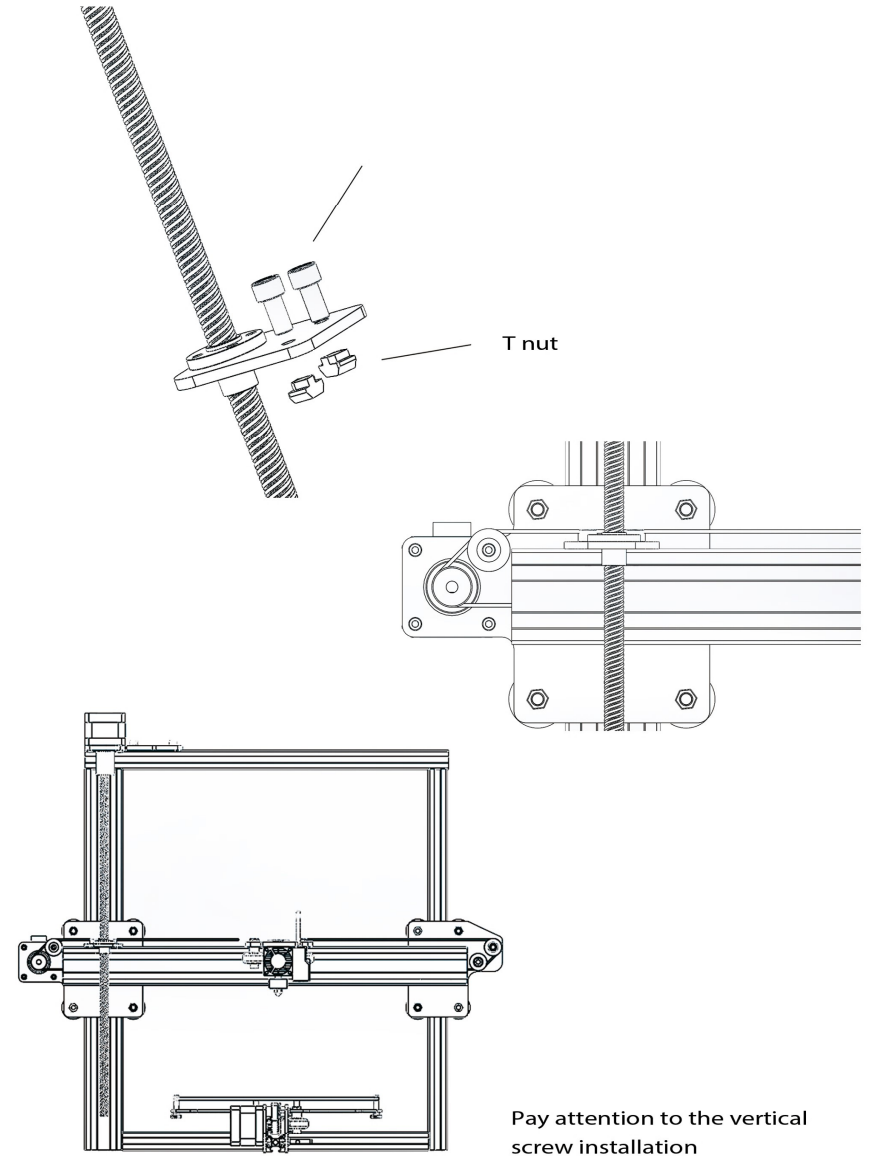
8. Top Bracket Installation

Install the parts package



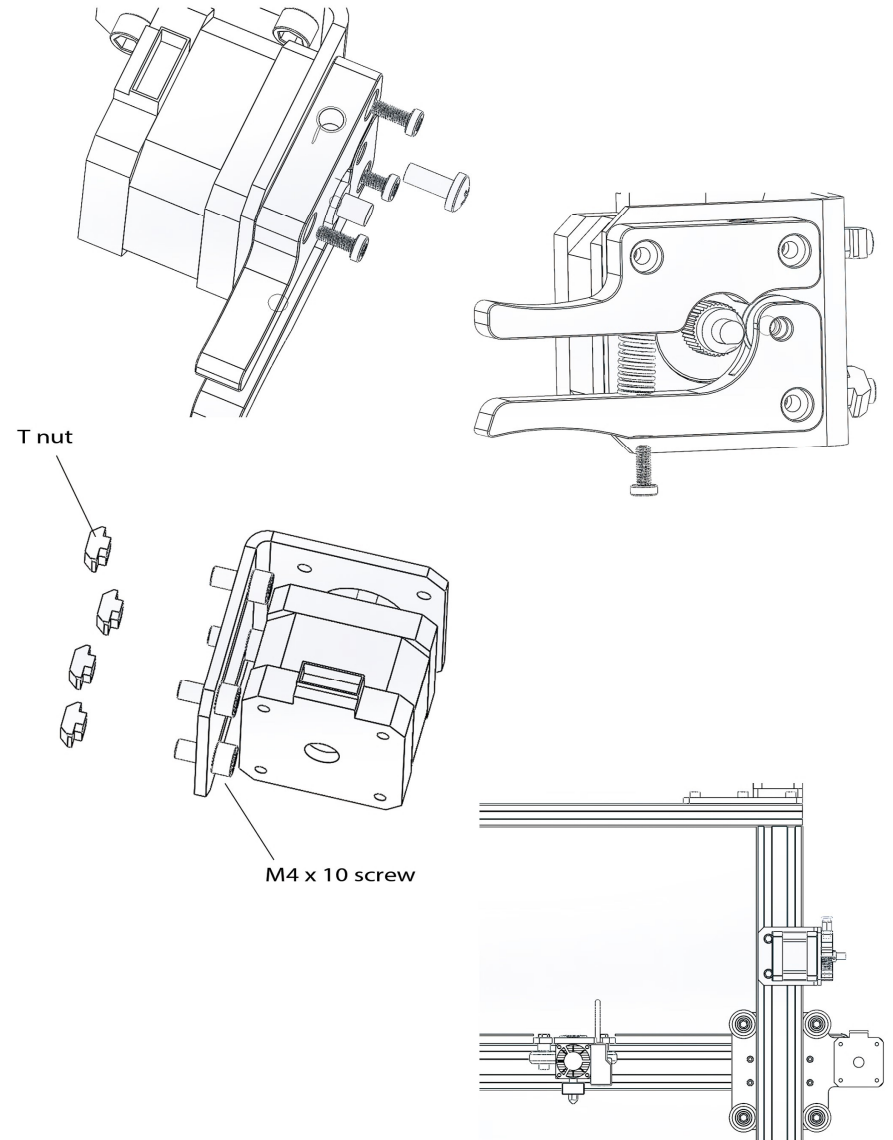
9. Screw installation

Install the parts package



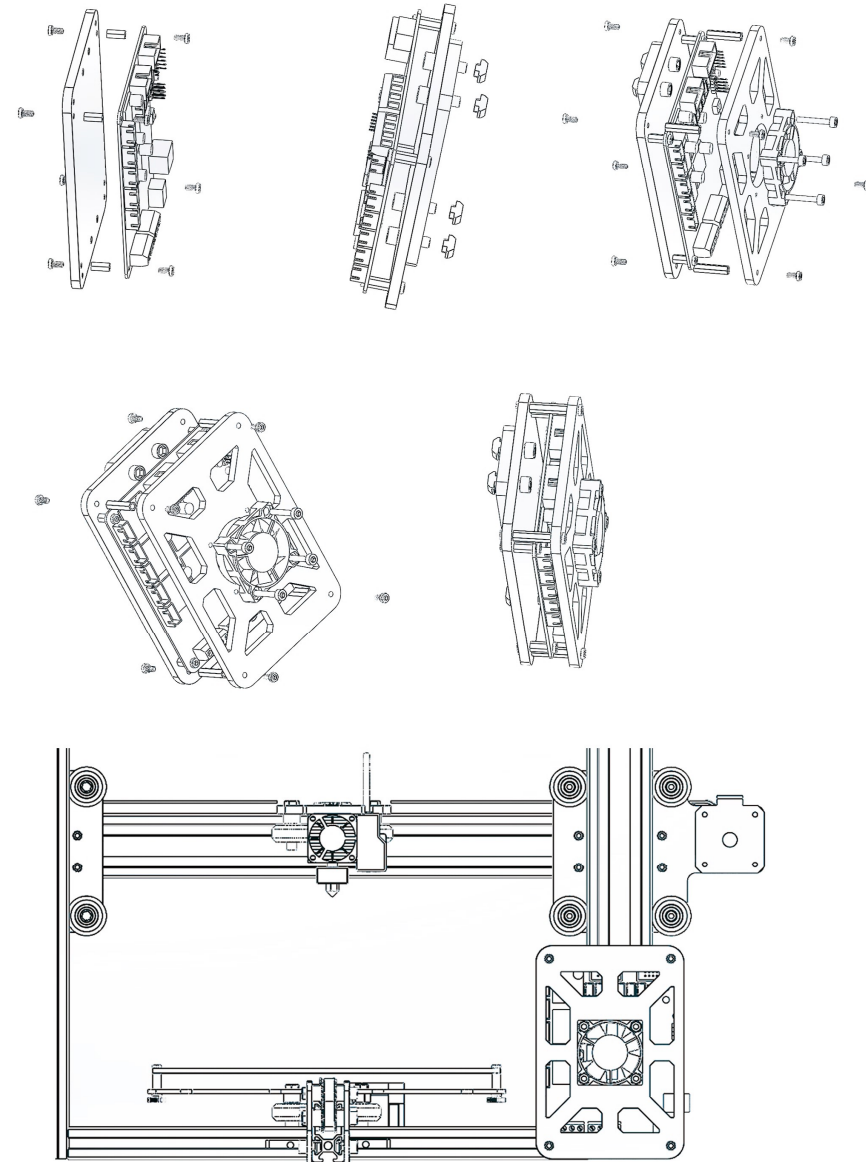
10. Wire feeding machine installation

Install the parts package



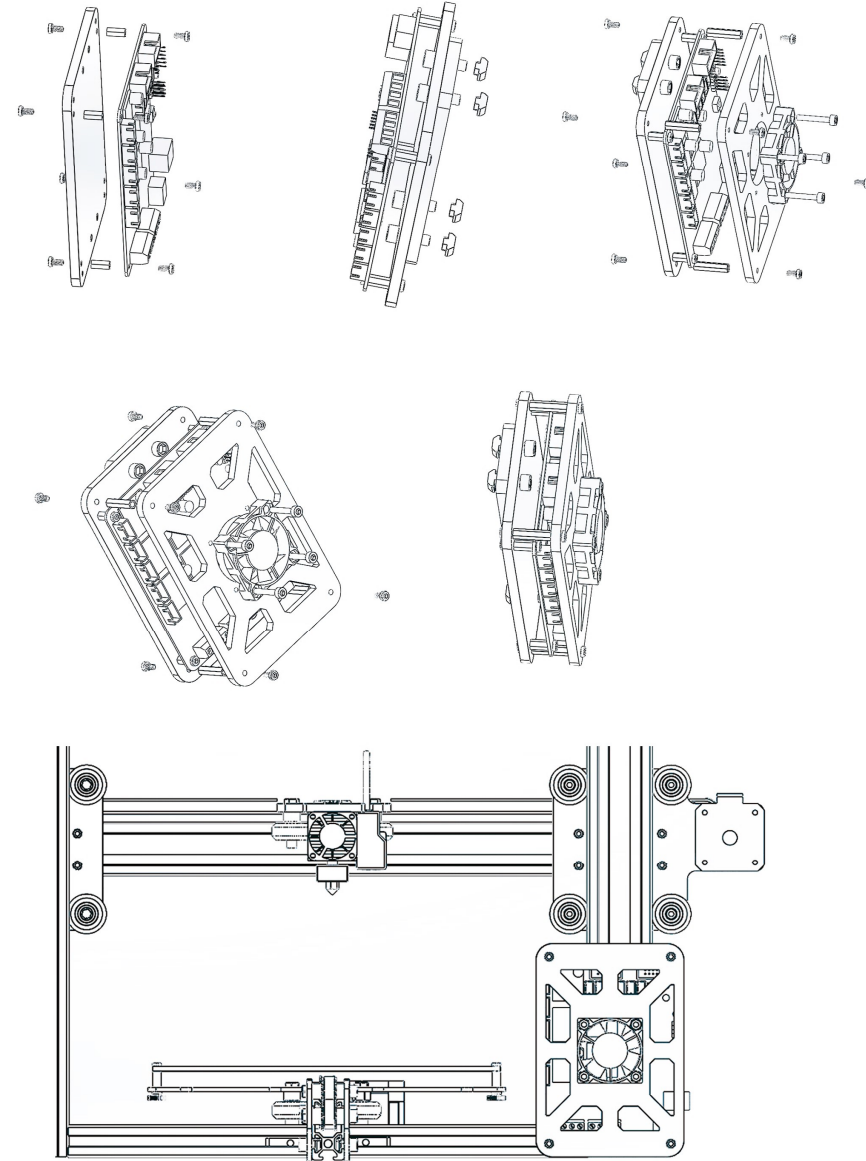
11. Motherboard installation

Install the parts package



12. Control box installation

Install the parts package



13 . Limit switch installed

Install the parts package

